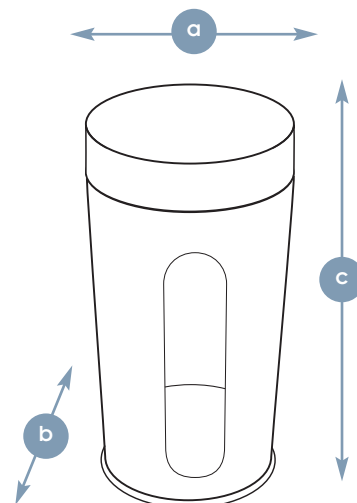


Round Tins

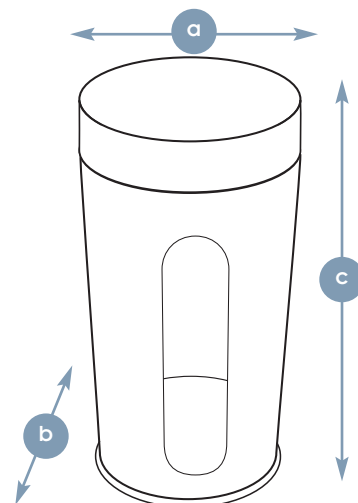
- The dimensions are the base size, we then have two piece tins that have fixed heights and three piece tins that have various heights.
- Three piece tins are lid, body and base, the base is the tool size and the body can be varied in height.
- The lids available are coded with a letter.



Product Name	Code	Size (mm) (a x b)	Heights Available (mm) (c)	Cover/Lid
Round Tin	T3220	39	27	A006
Round Tin	T3363	40	12	A015
Round Tin/Small pill box with plastic tray	T3024	42	11.5	J001
Round Pill Box	T3179	42	8	A001
Round Tin	T3224	42	11.5	J001
Round Tin	T3310	45	15	Z009
Round Tin	GMMP-099	45	15	-
Round Tin	T2958	47	127, 176, 197, 215	C001 • A030 • E002
Round Tin	T3221	49	30	A006
Small Spice Round Tin	T3157	50	95, 133	I008
Round Tin	T3223	50	15	F005
Round Tin	T1858	54	104	A030
Round Tin	T2819	54	89, 140, 238, 260	I005 • A001
Round Tin/Small click clack tin	T3120	60.5	19	Z009
Round Power Tin	T3306	61	44	F002
Round Tin	T2938	63	30	F005
Round Tin	T3156	63	21	D001
Round Tin	T1805	65	102, 125	Z032 • F005
Round Tin	T3232	65	43	A032
Round Tin	T3258	66	165	E013
Round Tin	T3268	66	9	F002
Round Tin	T3015	67	25, 50, 85, 115, 129, 133, 140, 152, 140, 273	D006 • F002 • C001 • E006 A018 • B001 • I006 • N005 A002
Round Tin	T3155	67	129	-
Round Tin	T2536	68	110	B006 • A030
Round Tin	T3361	69	28.5	A021
Round Tin	T3229	70	43	A017
Round Tin	T3259	70	131	E002
Round Tin	GMMP-120	75	22	-
Round Tin	GMMP-426	75.5	121	-
Round Tin	T1732	76	47, 91, 95.5, 99, 115, 120, 153	A029 • F002 • C001 • A001 A017 • Z021 D002 (20mm cover ht) D002 (18.5mm cover ht) D005 • F005 • I002 • N005
Round Tin	T3111	76	27	F005
Round Tin	T3174	76	16	Z011
Round Tin	T3235	76	115	A002
Round Tin Body with 3 layers spinning	T3297	78	190	C001

Round Tins

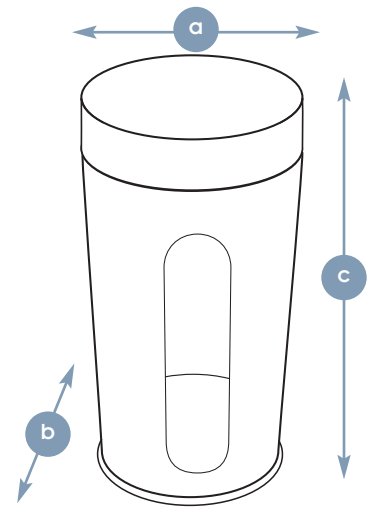
- The dimensions are the base size, we then have two piece tins that have fixed heights and three piece tins that have various heights.
- Three piece tins are lid, body and base, the base is the tool size and the body can be varied in height.
- The lids available are coded with a letter.



Product Name	Code	Size (mm) (a x b)	Heights Available (mm) (c)	Cover/Lid
Round Tin	T3384	78	156	E013
Round Tin	GMMP-427	78	121	-
Round Tin	T3230	79	49	A006 • A017
Round Tin	T3002	80	50, 92, 96, 103, 109, 101, 115, 120, 131	Z028 • C001 • F001 • D005 162 with Neck Height
Round Small Power Tin	T3350	80	36	F002
Round Tin	T3382	82	29	J003
Round Tin	GMMP-207	Top 83 Bot 59	73	-
Round Tin/Rubbish bin	T3122	84	96	Z028
Round Tin	T2968	85	50, 115, 132	A002 • E015
Round Tin	T3176	85	26	A001
Round Tin/Bird Cage	T2899	87	111	E003
Round Tin	T2286	89	70, 75, 80, 105, 106, 108, 124, 128, 134, 148, 153, 178, 208, 210, 284, 304	G014 • F005 • A013 • C001 Z021 • I004 • A020 • J001 B002 • C003 • A001 (19mm cover ht) A001 (15.5mm cover ht) N004 • N007 • N011 N013
Round Tin	T3265	91	138.5	D002
Round Tin	T2838	95	28, 38, 62, 110	F005 • A001
Round Tin	T3244	96	50, 45, 310, 330	B001 • C002 • A039
Round Tin	T3246	96	22	F005
Round/Movie Reel Tin	T3017	98	27	Z024
Round Tin	T3172	100	155, 176, 275	C002 • D002
Round Tin	T3218	101	38	A001
Round Tin	T3378	101	130	A033
Round Tin	T3231	102	57	A017 • A006
Round Tin	T3116	104	152	G008
Round Tin	T2900	106	76, 102, 112, 118, 142, 180, 325	A002 • F005 • A001 • A039
Round Tin	T3380	106	139	B005
Round Tin	GMMP-294	106	49	-
Round Tin/Power Tin	T1939	109	44	F002
Round Tin	T3034	110	105, 150, 165, 170, 183, 186	G010 • B002 • D005
Round Tin	T3234	110	60, 85, 120, 153, 170, 186, 252	G010 • D005 • A002 • B002
Round Small Power Tin	T3351	110	54	F002
Round Tin	T3379	112.5	29.4	A031
Round Tin/Large click clack tin	T3128	113	28	Z009
Round Tin	GMMP-257	114	203	-
Round Tin	T3109	118	27	F005
Round Tin	T3311	118	27	F002
Round CD Tin	T3272	123	10	A001
Round Tin	T3210	126	127	A001
Round Tin	T3304	126	14	A001

Round Tins

- The dimensions are the base size, we then have two piece tins that have fixed heights and three piece tins that have various heights.
- Three piece tins are lid, body and base, the base is the tool size and the body can be varied in height.
- The lids available are coded with a letter.



Product Name	Code	Size (mm) (a x b)	Heights Available (mm) (c)	Cover/Lid
Round Tin	T3270	127	171.5, 248	Z007 • B002
Round Tin	T3339	132	145	A002
Round Tin	T3383	132	53.5	J003
Round Tin	T3388	132	47	J003
Round Tin	T3164	155	70, 140	A001 • A002
Round Tin	T2954	168	46, 75, 173	A002 • F005 • E008
Round Tin	T3454	168	75, 173, 183	E008 • A002 • F005
Round Tin	T3085	182	35, 40, 70, 95	A001
Round Tin	T3315	190	65	A001
Round Tin	T2953	198	41, 82, 85, 127	A001 • F005
Round Tin	T3145	198	90, 102	A002
Round Tin	T3372	210	60	A001 • A002
Round Tin	GMMP-327	232	23	-
Round Tin	T3146	248	35, 53, 118, 143, 188	A001 • A002